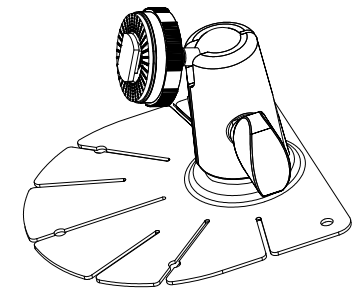
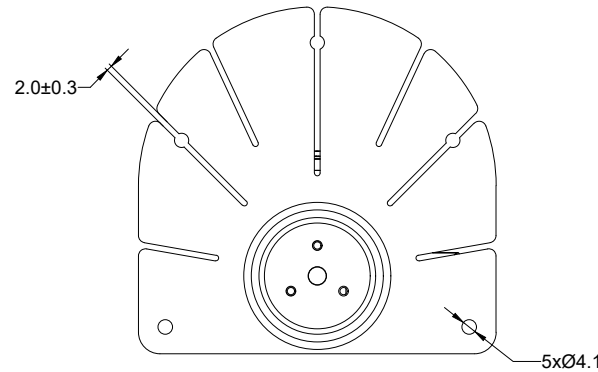
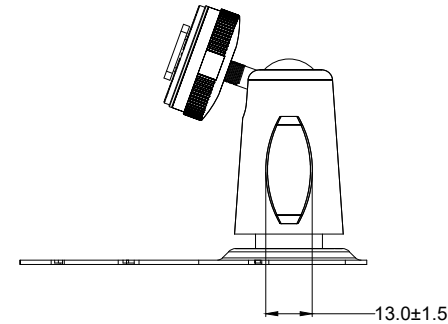
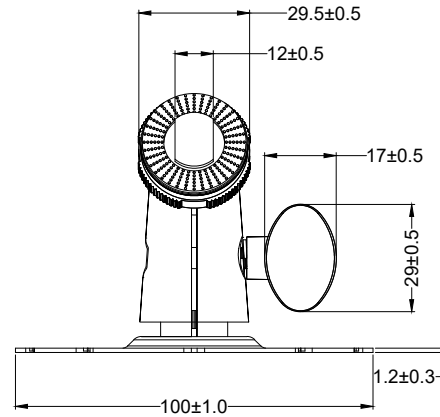
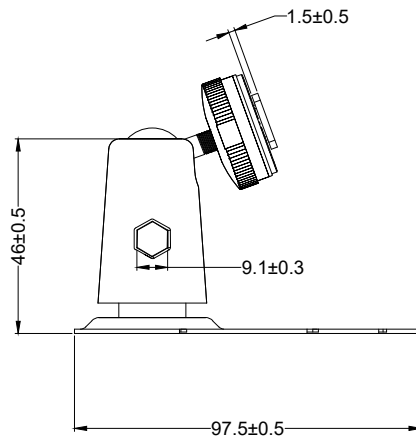
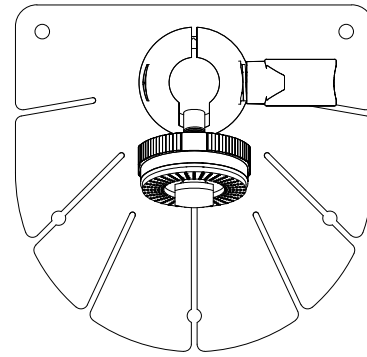


Revision Notes.

APA: _____ Drawn: _____ Checked: _____ Approved: _____ Date: _____



- NOTES:**
1. FOR PRODUCT LABELS AND PACKAGING DETAILS REFER TO MASTER BOM.
 2. REFER TO PRODUCT SPECIFICATION (PS) FOR MORE PRODUCT DETAILS.
 3. FOR INSTALLATION DETAILS REFER TO 'INSTALLATION GUIDE'.
 4. ANY CUSTOMER MODIFICATION OF THIS PRODUCT CAUSING SUBSEQUENT FAILURE IS NOT A LIABILITY OF BRIGADE ELECTRONICS PLC.

PROPRIETARY NOTICE
 THIS DESIGN AND TECHNICAL INFORMATION APPEARING ON THIS DRAWING IS THE PROPERTY OF BRIGADE ELECTRONICS, AND IS DISCLOSED IN CONFIDENCE. IT IS NOT TO BE COPIED, REPRODUCED, REVEALED TO OR EXPROPRIATED BY OTHERS, EITHER IN WHOLE OR IN PART WITHOUT THE EXPRESS WRITTEN CONSENT OF BRIGADE ELECTRONICS.

BRIGADE®
 www.brigade-electronics.com

Assembly Pl Approval KEN WONG		Approved by JN BATOUR		Checked by AF		Drawn by R.TIMMS	
Angle of Projection 		Units mm	Scale N/A	Released 26/06/24	Assembly Ref -		
Third Angle		Status APPROVED		VBV-670M-BKT			
		Part No 5777		BE-004928-00-24			